

Uponor AquaPEX® White, coils

Submittal information

Revision M: Sept. 18, 2018

Project information

Job name:

Location:

Part no. ordered:

Engineer:

Date submitted:

Contractor:

Submitted by:

Manufacturer's representative:

Approved by:

Technical data

Material: Crosslinked polyethylene PEX-a Engel Method; PEX 5106

Standard grade hydrostatic ratings (PPI):
 200°F (93°C) at 80 psi (551 kPa)
 180°F (82°C) at 100 psi (689 kPa)
 73.4°F (23°C) at 160 psi (1,103 kPa)
 1/2", 3/4", 1", 1 1/4", 1 1/2" and 2" Uponor AquaPEX® White only:
 120°F (49°C) at 130 psi (896 kPa)

Linear expansion rate: 1.1"/10°F/100' (27.94mm/5.56°C/30.48m)



Product information and application use

Uponor AquaPEX White is used for hot and cold domestic potable water distribution and residential fire safety as well as radiant heating/cooling and hydronic piping systems containing no ferrous corrodible components or where ferrous components are isolated from the piping.

✓ Description	Part number	I.D.	O.D.	Weight
1/4" Uponor AquaPEX White, 100-ft. coil	F1040250	0.241"	0.375"	4.0 lbs.
3/8" Uponor AquaPEX White, 400-ft. coil	F1090375	0.350"	0.500"	20.0 lbs.
3/8" Uponor AquaPEX White, 1,000-ft. coil	F1120375	0.350"	0.500"	44.0 lbs.
1/2" Uponor AquaPEX White, 100-ft. coil	F1040500	0.475"	0.625"	6.0 lbs.
1/2" Uponor AquaPEX White, 300-ft. coil	F1060500	0.475"	0.625"	18.0 lbs.
1/2" Uponor AquaPEX White, 500-ft. coil	F1100500	0.475"	0.625"	27.6 lbs.
1/2" Uponor AquaPEX White, 1,000-ft. coil	F1120500	0.475"	0.625"	54.0 lbs.
5/8" Uponor AquaPEX White, 300-ft. coil	F1060625	0.574"	0.750"	28.0 lbs.
5/8" Uponor AquaPEX White, 1000-ft. coil	F1120625	0.574"	0.750"	86.0 lbs.
3/4" Uponor AquaPEX White, 100-ft. coil	F1040750	0.671"	0.875"	10.0 lbs.
3/4" Uponor AquaPEX White, 300-ft. coil	F1060750	0.671"	0.875"	34.0 lbs.
3/4" Uponor AquaPEX White, 500-ft. coil	F1100750	0.671"	0.875"	54.0 lbs.
1" Uponor AquaPEX White, 100-ft. coil	F1041000	0.862"	1.125"	20.0 lbs.
1" Uponor AquaPEX White, 300-ft. coil	F1061000	0.862"	1.125"	56.0 lbs.
1" Uponor AquaPEX White, 500-ft. coil	F1101000	0.862"	1.125"	93.0 lbs.
1 1/4" Uponor AquaPEX White, 100-ft. coil	F1061250	1.054"	1.375"	34.0 lbs.
1 1/4" Uponor AquaPEX White, 300-ft. coil	F1021250	1.054"	1.375"	106.0 lbs.
1 1/2" Uponor AquaPEX White, 100-ft. coil	F1061500	1.244"	1.625"	44.0 lbs.
1 1/2" Uponor AquaPEX White, 300-ft. coil	F1021500	1.244"	1.625"	133.0 lbs.
2" Uponor AquaPEX White, 100-ft. coil	F1062000	1.629"	2.125"	68.2 lbs.
2" Uponor AquaPEX White, 200-ft. coil	F1052000	1.629"	2.125"	136.4 lbs.
2" Uponor AquaPEX White, 300-ft. coil	F1022000	1.629"	2.125"	204.6 lbs.
2 1/2" Uponor AquaPEX White, 100-ft. coil	F1062500	2.011"	2.625"	88.0 lbs.
2 1/2" Uponor AquaPEX White, 300-ft. coil	F1022500	2.011"	2.625"	264.0 lbs.
3" Uponor AquaPEX White, 100-ft. coil	F1063000	2.400"	3.125"	128.0 lbs.
3" Uponor AquaPEX White, 300-ft. coil	F1023000	2.400"	3.125"	384.0 lbs.

Installation

Use ProPEX® fittings for 3/8" through 3" pipe.¹ Refer to the ProPEX Connections Instructional Guide, Uponor Piping Pocket Guide, Plumbing Design Assistance Manual (PDAM), Complete Design Assistance Manual (CDAM), Hydronic Piping Design Assistance Manual (HPDAM) or AquaSAFE™ Residential Fire Sprinkler Installation Guide for more information.

Listings ²	Codes	Standards
cNSFus-fs ³ ; cNSFus-pw; cQAlus P321; UL; CSA; PPI TR-4; ICC-ES; BMEC; CCMC	IAPMO; ICC; IPC; IMC; IRC; UPC; UMC; NSPC; HUD; UFGS; NPC of Canada; NBC of Canada	ANSI/NSF 14; ANSI/NSF 61; ASTM F876; ASTM F877; ASTM F1960; ASTM F2023; ASTM E84; CAN/ULC S102.2; ASTM E119/UL 263; CAN/ULC S101; ASTM E814/ULC S115; CSA B137.5; CSA B214; UL 1821 ³ ; ULC/ORD-C199P ³ ; AWWA C904 ⁴

Related applications

PEX-a plumbing systems
 AquaSAFE™ fire safety systems
 Radiant heating and cooling systems
 Hydronic piping systems

Contact information

Uponor, Inc.
 5925 148th Street West
 Apple Valley, MN 55124 USA
 Phone: 800.321.4739
 Fax: 952.891.2008
 uponorpro.com

Uponor Ltd.
 6510 Kennedy Road
 Mississauga, ON L5T 2X4 CANADA
 Phone: 888.994.7726
 Fax: 800.638.9517
 uponorpro.com

¹ProPEX® is a registered trademark of Uponor, Inc. ProPEX™ is a trademark of Uponor Ltd.

²Visit listing agency's website for complete information. ³For 3/4", 1" and 1 1/4" pipe only. ⁴For 3/4" to 3" pipe.

Uponor AquaPEX® White, straight length

Submittal information

Revision L: Sept. 14, 2018

Project information

Job name:

Location:

Part no. ordered:

Engineer:

Date submitted:

Contractor:

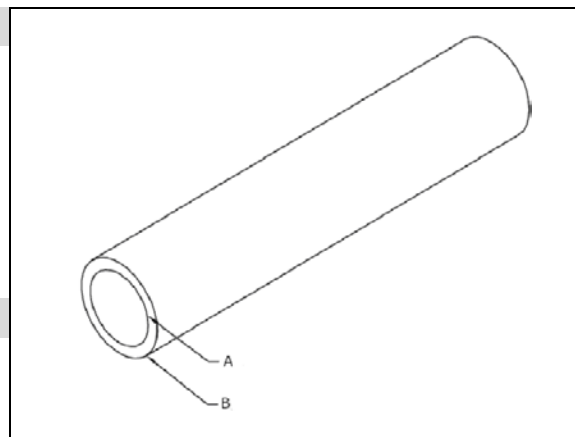
Submitted by:

Manufacturer's representative:

Approved by:

Technical data

Material:	Crosslinked polyethylene PEX-a Engel Method; PEX 5106
Standard grade hydrostatic ratings (PPI):	200°F (93°C) at 80 psi (551 kPa) 180°F (82°C) at 100 psi (689 kPa) 73.4°F (23°C) at 160 psi (1,103 kPa) ½", ¾", 1", 1¼", 1½" and 2" Uponor AquaPEX® White piping only: 120°F (49°C) at 130 psi (896 kPa)
Linear expansion rate:	1.10"/10°F/100' (27.94mm/5.56°C/30.48m)



Product information and application use

Uponor AquaPEX White, straight length pipe, is used for hot and cold domestic potable water distribution, residential fire safety and radiant heating and cooling and hydronic piping systems containing no ferrous corrodible components or where ferrous components are isolated from the piping.

✓ Description	Part number	A	B	Weight
½" Uponor AquaPEX White, 20-ft. straight length, 500 ft. (25 per bundle)	F1930500	0.475"	0.625"	28.0 lbs.
¾" Uponor AquaPEX White, 20-ft. straight length, 300 ft. (15 per bundle)	F1930750	0.671"	0.875"	31.0 lbs.
1" Uponor AquaPEX White, 20-ft. straight length, 200 ft. (10 per bundle)	F1921000	0.862"	1.125"	38.0 lbs.
1¼" Uponor AquaPEX White, 20-ft. straight length, 100 ft. (5 per bundle)	F1921250	1.054"	1.375"	25.0 lbs.
1½" Uponor AquaPEX White, 20-ft. straight length, 100 ft. (5 per bundle)	F1921500	1.244"	1.625"	35.0 lbs.
2" Uponor AquaPEX White, 20-ft. straight length, 100 ft. (5 per bundle)	F1922000	1.629"	2.125"	60.5 lbs.
2½" Uponor AquaPEX White, 10-ft. straight length, 30 ft. (3 per bundle)	F1912500	2.011"	2.625"	27.6 lbs.
2½" Uponor AquaPEX White, 20-ft. straight length, 60 ft. (3 per bundle)	F1922500	2.011"	2.625"	55.2 lbs.
3" Uponor AquaPEX White, 10-ft. straight length, 30 ft. (3 per bundle)	F1913000	2.400"	3.125"	39.8 lbs.
3" Uponor AquaPEX White, 20-ft. straight length, 40 ft. (2 per bundle)	F1923000	2.400"	3.125"	53.1 lbs.

Installation

Use ProPEX® fittings for ¾" through 3" pipe.¹ Refer to the ProPEX Connections Instructional Guide, Uponor Piping Pocket Guide, Plumbing Design Assistance Manual (PDAM), Complete Design Assistance Manual (CDAM), Hydronic Piping Design Assistance Manual (HPDAM) or AquaSAFE™ Residential Fire Sprinkler Installation Guide for more information.

Listings²

cNSFus-fs³; cNSFus-pw; cQAlus P321; UL; CSA; PPI TR-4; ICC-ES; BMEC; CCMC

Codes

IAPMO; ICC; IPC; IMC; IRC; UPC; UMC; NSPC; HUD; UFGS; NPC of Canada; NBC of Canada

Standards

ANSI/NSF 14; ANSI/NSF 61; ASTM F876; ASTM F877; ASTM F1960; ASTM F2023; ASTM E84; CAN/ULC S102.2; ASTM E119/UL 263; CAN/ULC S101; ASTM E814/ULC S115; CSA B137.5; CSA B214; UL 1821³; ULC/ORD-C199P³; AWWA C904⁴

Related applications

PEX-a plumbing systems
AquaSAFE™ residential fire safety systems
Radiant heating and cooling systems
Hydronic piping systems

Contact information

Uponor, Inc.
5925 148th Street West
Apple Valley, MN 55124 USA
Phone: 800.321.4739
Fax: 952.891.2008
uponorpro.com

Uponor Ltd.
6510 Kennedy Road
Mississauga, ON L5T 2X4 CANADA
Phone: 888.994.7726
Fax: 800.638.9517
uponorpro.com

¹ProPEX® is a registered trademark of Uponor, Inc. ProPEX™ is a trademark of Uponor Ltd.

²Visit listing agency's website for complete information.

³For ¾", 1" and 1¼" tubing only.

⁴For ¾" tubing and larger.

Uponor AquaPEX® red coils and straight lengths

Submittal information

Revision I: Nov. 7, 2018

Project information

Job name:

Location:

Part no. ordered:

Engineer:

Date submitted:

Contractor:

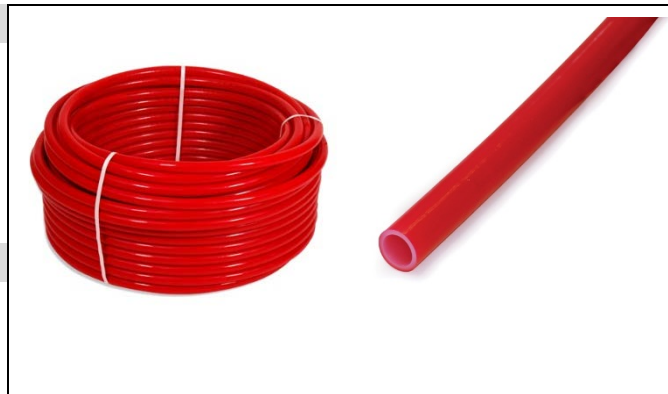
Submitted by:

Manufacturer's representative:

Approved by:

Technical data

Material:	Crosslinked polyethylene PEX-a Engel method; PEX 5306
Standard grade	200°F at 80 psi (93°C at 5.5 bar)
Hydrostatic ratings (PPI):	180°F at 100 psi (82°C at 6.9 bar) 73.4°F at 160 psi (23°C at 11 bar)
Linear expansion rate:	1.10"/10°F/100' (27.94mm/5.56°C/30.48m)



Product information and application use

Uponor AquaPEX® red tubing is used primarily for hot potable-water distribution, but can also be used in radiant heating and cooling systems containing no ferrous corrodible components or where ferrous components are isolated from the tubing.

✓ Description	Part number	I.D.	O.D.	Weight
½" Uponor AquaPEX Red, 100-ft. coil	F2040500	0.475"	0.625"	6 lbs.
½" Uponor AquaPEX Red, 300-ft. coil	F2060500	0.475"	0.625"	18 lbs.
½" Uponor AquaPEX Red, 1,000-ft. coil	F2120500	0.475"	0.625"	54 lbs.
¾" Uponor AquaPEX Red, 100-ft. coil	F2040750	0.671"	0.875"	10 lbs.
¾" Uponor AquaPEX Red, 300-ft. coil	F2060750	0.671"	0.875"	34 lbs.
¾" Uponor AquaPEX Red, 500-ft. coil	F2100750	0.671"	0.875"	54 lbs.
1" Uponor AquaPEX Red, 100-ft. coil	F2041000	0.862"	1.125"	20 lbs.
1" Uponor AquaPEX Red, 300-ft. coil	F2061000	0.862"	1.125"	56 lbs.
1" Uponor AquaPEX Red, 500-ft. coil	F2101000	0.862"	1.125"	93 lbs.
½" Uponor AquaPEX Red, 20-ft. straight length, 500 ft.	F2930500	0.475"	0.625"	28 lbs.
¾" Uponor AquaPEX Red, 20-ft. straight length, 300 ft.	F2930750	0.671"	0.875"	31 lbs.
1" Uponor AquaPEX Red, 20-ft. straight length, 200 ft.	F2921000	0.862"	1.125"	35 lbs.

Installation

Approved fitting system is ProPEX®¹. Refer to the Uponor ProPEX Connections Instructional Guide, the Uponor Professional Plumbing Installation Guide or the Uponor Piping Pocket Guide for more information.

Listings²

cNSFus-pw; cQAlus; UL; CSA; PPI TR-4; ICC-ES; IAPMO; BMEC; CCMC

Codes

ICC; IPC; IMC; IRC; UPC; UMC; NSPC; HUD; UFGS; NPC of Canada; NBC of Canada

Standards

ANSI/NSF 14; ANSI/NSF 61; ASTM F876; ASTM F877; ASTM F1960; ASTM F2023; ASTM E84; CAN/ULC S102.2; ASTM E119/UL 263; CAN/ULC S101; ASTM E814/ULC S115; AWWA C904; CSA B137.5; CSA B214

Related applications

PEX-a plumbing systems
Radiant heating and cooling systems

Contact information

Uponor Inc.
5925 148th Street West
Apple Valley, MN 55124 USA
T 800.321.4739
F 952.891.2008
uponorpro.com

Uponor Ltd.
6510 Kennedy Road
Mississauga, ON L5T 2X4 CANADA
T 888.994.7726
F 800.638.9517
uponorpro.com

¹ProPEX® is a registered trademark of Uponor Inc. ProPEX™ is a trademark of Uponor Ltd.; ²Visit listing agency's website for complete information.

Uponor AquaPEX® blue coils and straight lengths

Submittal information

Revision I: Nov. 7, 2018

Project information

Job name:

Location:

Part no. ordered:

Engineer:

Date submitted:

Contractor:

Submitted by:

Manufacturer's representative:

Approved by:

Technical data

Material:	Crosslinked polyethylene PEX-a Engel method; PEX 5306
Standard grade hydrostatic ratings (PPI):	200°F at 80 psi (93°C at 5.5 bar) 180°F at 100 psi (82°C at 6.9 bar) 73.4°F at 160 psi (23°C at 11 bar)
Linear expansion rate:	1.10"/10°F/100' (27.94mm/5.56°C/30.48m)



Product information and application use

Uponor AquaPEX® blue tubing is used primarily in cold potable-water distribution systems, but can also be used in radiant heating and cooling systems containing no ferrous corrodible components or where ferrous components are isolated from the tubing.

✓ Description	Part number	I.D.	O.D.	Weight
½" Uponor AquaPEX Blue, 100-ft. coil	F3040500	0.475"	0.625"	6 lbs.
½" Uponor AquaPEX Blue, 300-ft. coil	F3060500	0.475"	0.625"	18 lbs.
½" Uponor AquaPEX Blue, 1,000-ft. coil	F3120500	0.475"	0.625"	54 lbs.
¾" Uponor AquaPEX Blue, 100-ft. coil	F3040750	0.671"	0.875"	10 lbs.
¾" Uponor AquaPEX Blue, 300-ft. coil	F3060750	0.671"	0.875"	34 lbs.
¾" Uponor AquaPEX Blue, 500-ft. coil	F3100750	0.671"	0.875"	54 lbs.
1" Uponor AquaPEX Blue, 100-ft. coil	F3041000	0.862"	1.125"	20 lbs.
1" Uponor AquaPEX Blue, 300-ft. coil	F3061000	0.862"	1.125"	56 lbs.
1" Uponor AquaPEX Blue, 500-ft. coil	F3101000	0.862"	1.125"	93 lbs.
½" Uponor AquaPEX Blue, 20-ft. straight length, 500 ft.	F3930500	0.475"	0.625"	28 lbs.
¾" Uponor AquaPEX Blue, 20-ft. straight length, 300 ft.	F3930750	0.671"	0.875"	31 lbs.
1" Uponor AquaPEX Blue, 20-ft. straight length, 200 ft.	F3921000	0.862"	1.125"	35 lbs.

Installation

Approved fitting system is ProPEX®¹. Refer to the Uponor ProPEX Connections Instructional Guide, the Uponor Professional Plumbing Installation Guide or the Uponor Piping Pocket Guide for more information.

Listings²

cNSFus-pw; cQAIus; UL; CSA; PPI TR-4; ICC-ES; IAPMO; BMEC; CCMC

Codes

ICC; IPC; IMC; IRC; UPC; UMC; NSPC; HUD; UFGS; NPC of Canada; NBC of Canada

Standards

ANSI/NSF 14; ANSI/NSF 61; ASTM F876; ASTM F877; ASTM F1960; ASTM F2023; ASTM E84; CAN/ULC S102.2; ASTM E119/UL 263; CAN/ULC S101; ASTM E814/ULC S115; AWWA C904; CSA B137.5; CSA B214

Related applications

PEX-a plumbing systems
Radiant heating and cooling systems

Contact information

Uponor Inc. 5925 148th Street West Apple Valley, MN 55124 USA T 800.321.4739 F 952.891.2008 uponorpro.com	Uponor Ltd. 6510 Kennedy Road Mississauga, ON L5T 2X4 CANADA T 888.994.7726 F 800.638.9517 uponorpro.com
--	---

¹ProPEX® is a registered trademark of Uponor Inc. ProPEX™ is a trademark of Uponor Ltd.; ²Visit listing agency's website for complete information.

Uponor AquaPEX® Reclaimed Water Tubing

Submittal information
Revision I: Nov. 7, 2018

Project information

Job name:	
Location:	Part no. ordered:
Engineer:	Date submitted:
Contractor:	Submitted by:
Manufacturer's representative:	Approved by:

Technical data

Material:	Crosslinked polyethylene PEX-a Engel method; PEX 5106
Standard grade	200°F at 80 psi (93°C at 5.5 bar)
Hydrostatic ratings (PPI):	180°F at 100 psi (82°C at 6.9 bar) 73.4°F at 160 psi (23°C at 11 bar)
Linear expansion rate:	1.1"/10°F/100' (27.94mm/5.56°C/30.48m)



Product information and application use

Uponor AquaPEX® reclaimed water tubing is used in reclaimed water (graywater) systems. The tubing is color-coded purple for easy distinction in the plumbing system. It distributes non-potable water for designated applications (laundry, toilet and residential irrigation).

✓ Description	Part number	Pipe I.D.	Pipe O.D.	Pkg. weight
½" Uponor AquaPEX Reclaimed Water Tubing, 300-ft. coil	F1060502	0.475"	0.625"	18.0 lbs.
¾" Uponor AquaPEX Reclaimed Water Tubing, 300-ft. coil	F1060752	0.671"	0.875"	34.0 lbs.
1" Uponor AquaPEX Reclaimed Water Tubing, 300-ft. coil	F1061002	0.862"	1.125"	56.0 lbs.
1" Uponor AquaPEX Reclaimed Water Tubing, 10-ft. straight length, 100 ft. (10 per bundle)	F1961002	0.862"	1.125"	17.5 lbs.
1" Uponor AquaPEX Reclaimed Water Tubing, 20-ft. straight length, 200 ft. (10 per bundle)	F1921002	0.862"	1.125"	35.0 lbs.
1¼" Uponor AquaPEX Reclaimed Water Tubing, 10-ft. straight length, 50 ft. (5 per bundle)	F1911256	1.054"	1.375"	16.0 lbs.
1¼" Uponor AquaPEX Reclaimed Water Tubing, 20-ft. straight length, 100 ft. (5 per bundle)	F1961256	1.054"	1.375"	32.0 lbs.
1¼" Uponor AquaPEX Reclaimed Water Tubing, 100-ft. coil*	F1061252	1.054"	1.375"	32.0 lbs.
1½" Uponor AquaPEX Reclaimed Water Tubing, 10-ft. straight length, 50 ft. (5 per bundle)	F1911506	1.244"	1.625"	21.0 lbs.
1½" Uponor AquaPEX Reclaimed Water Tubing, 20-ft. straight length, 100 ft. (5 per bundle)	F1961502	1.244"	1.625"	42.0 lbs.
1½" Uponor AquaPEX Reclaimed Water Tubing, 100-ft. coil*	F1061502	1.244"	1.625"	42.0 lbs.
2" Uponor AquaPEX Reclaimed Water Tubing, 10-ft. straight length, 50 ft. (5 per bundle)	F1912006	1.629"	2.125"	34.0 lbs.
2" Uponor AquaPEX Reclaimed Water Tubing, 20-ft. straight length, 100 ft. (5 per bundle)	F1962002	1.629"	2.125"	68.1 lbs.
2" Uponor AquaPEX Reclaimed Water Tubing, 100-ft. coil*	F1062002	1.629"	2.125"	68.1 lbs.

*100-ft. coils for 1¼", 1½" and 2" tubing are available upon special request. For information, contact Uponor Customer Service at 800.321.4739.

Installation

ProPEX® fittings are approved for use with Uponor AquaPEX reclaimed water tubing.¹ Refer to the Uponor professional plumbing installation guide for more information.

Listings²

cNSFus-rw; cQAIus; CSA; PPI TR-4; ICC-ES; IAPMO; BMEC

Codes

ICC; IPC; IMC; IRC; UPC; UMC; NSPC; HUD; UFGS; NPC of Canada; NBC of Canada

Standards

ANSI/NSF 14; ASTM F876; ASTM F877; ASTM F1960; ASTM F2023; CSA B137.5; CSA B214; ASTM E84; CAN/ULC S102.2; ASTM E119/UL 263; CAN/ULC S101; ASTM E814/ULC S115

Related applications

PEX plumbing systems

Contact information

Uponor, Inc.
5925 148th Street West
Apple Valley, MN 55124 USA
Phone: 800.321.4739
Fax: 952.891.2008
uponorpro.com

Uponor Ltd.
6510 Kennedy Road
Mississauga, ON L5T 2X4 CANADA
Phone: 888.994.7726
Fax: 800.638.9517
uponorpro.com

¹ProPEX® is a registered trademark of Uponor, Inc. ProPEX™ is a trademark of Uponor Ltd.

²Visit listing agency's website for complete information.

Pre-insulated Uponor AquaPEX® with ½" Insulation, Coils

Submittal information
Revision J: Sept. 25, 2017

Project information

Job name:	
Location:	Part No. ordered:
Engineer:	Date submitted:
Contractor:	Submitted by:
Manufacturer's representative:	Approved by:

Technical data

Service pipe:	Crosslinked polyethylene PEX-a Engel method tubing encased in ½" PEX-foam insulation; PEX 5106
Insulation:	Multi-layered, closed-cell, crosslinked polyethylene foam
Thermal conductivity:	0.250 Btu.in/sq.ft.h.degF
Operating condition limits: (hydrostatic ratings)	200°F (93°C) at 80 psi (551 kPa) 180°F (82°C) at 100 psi (689 kPa) 73.4°F (23°C) at 160 psi (1,103 kPa) ½"-2" Uponor AquaPEX® White only: 120°F (49°C) at 130 psi (896 kPa)
Linear expansion rate:	1.10"/10°F/100' (27.94mm/5.56°C/30.48m)



Product information and application use

Pre-insulated Uponor AquaPEX® tubing is durable, flexible, corrosion-resistant and encased in ½" PEX-foam insulation to insulate potable water lines and meet national, state and local energy codes. The tubing is approved for use in hot and cold domestic potable water systems, residential fire safety and hydronic radiant heating and cooling systems containing no ferrous corrodible components or where ferrous components are isolated from the tubing. This product is approved for direct burial in soil and concrete.

✓ Description	Part number	Outside diameter (O.D.)	Heat loss (at 70° Delta T)	R-value	Coil size (O.D. x width)	Weight (lb./coil)
½" Pre-insulated AquaPEX with ½" insulation, 100-ft. coil	F6040500	1.81"	7.4 BTU/hr/ft	3.9	32.38" x 12.40"	8.0 lbs.
¾" Pre-insulated AquaPEX with ½" insulation, 100-ft. coil	F6040750	2.06"	9.0 BTU/hr/ft	3.6	32.38" x 12.40"	12.8 lbs.
1" Pre-insulated AquaPEX with ½" insulation, 100-ft. coil	F6041000	2.31"	10.6 BTU/hr/ft	3.4	57.00" x 10.00"	21.0 lbs.
1¼" Pre-insulated AquaPEX with ½" insulation, 100-ft. coil	F6041250	2.56"	12.1 BTU/hr/ft	3.3	59.00" x 10.00"	30.0 lbs.
1½" Pre-insulated AquaPEX with ½" insulation, 100-ft. coil	F6041500	2.81"	13.6 BTU/hr/ft	3.2	59.00" x 10.00"	42.0 lbs.
2" Pre-insulated AquaPEX with ½" insulation, 100-ft. coil	F6042000	3.31"	16.5 BTU/hr/ft	3.1	64.00" x 11.00"	65.0 lbs.

Installation

Approved fitting system is ProPEX®. ¹ Refer to the ProPEX Connections Instructional Guide, Uponor Piping Pocket Guide, Plumbing Design Assistance Manual (PDAM), Complete Design Assistance Manual (CDAM), Hydronic Piping Design Assistance Manual (HPDAM) or AquaSAFE™ Residential Fire Sprinkler Installation Guide for more information.

Listings²

cNSFus-fs³; cNSFus-pw; cQAlus⁵; UL; CSA; PPI TR-4; ICC-ES; IAPMO; CCMC

Codes

ICC; IPC; IMC; IRC; UPC; UMC; NSPC; HUD; UFGS; NPC of Canada; NBC of Canada

Standards

ANSI/NSF 14; ANSI/NSF 61; ASTM F876; ASTM F877; ASTM F1960; ASTM F2023; ASTM E84⁵; CAN/ULC S102.2⁵; ASTM E119/UL 263; CAN/ULC S101; ASTM E814/ULC S115; AWWA C904⁴; CSA B137.5; CSA B214; UL 1821³; ULC/ORD-C199P³

Related applications

PEX-a plumbing systems
Radiant heating and cooling systems
AquaSAFE™ fire safety systems
Hydronic piping systems

Contact information

Uponor, Inc.
5925 148th Street West
Apple Valley, MN 55124 USA
Phone: 800.321.4739
Fax: 952.891.2008
uponorpro.com

Uponor Ltd.
6510 Kennedy Road
Mississauga, ON L5T 2X4 CANADA
Phone: 888.994.7726
Fax: 800.638.9517
uponorpro.com

¹ProPEX® is a registered trademark of Uponor, Inc. ProPEX™ is a trademark of Uponor Ltd.; ² Visit listing agency's website for complete information; ³ For ¾", 1" and 1¼" tubing only; ⁴ For ¾" tubing and larger; ⁵ See listings/standards for un-insulated Uponor AquaPEX.

Pre-insulated Uponor AquaPEX® with ½" Insulation, Straight Lengths

Submittal Information
Revision I: Sept. 18, 2018

Project information

Job Name:	
Location:	Part No. ordered:
Engineer:	Date submitted:
Contractor:	Submitted by:
Manufacturer's representative:	Approved by:

Technical data

Service Pipe:	Crosslinked polyethylene (PEX-a) Engel-method tubing encased in ½" PEX-foam insulation; PEX 5106
Insulation:	Multi-layer, closed-cell, crosslinked polyethylene foam
Thermal conductivity:	0.250 Btu.in/sq.ft.h.degF
Operating condition limits: (hydrostatic ratings)	200°F (93°C) at 80 psi (551 kPa) 180°F (82°C) at 100 psi (689 kPa) 73.4°F (23°C) at 160 psi (1,103 kPa) ½", ¾", 1", 1¼", 1½" and 2" Uponor AquaPEX® White only: 120°F (49°C) at 130 psi (896 kPa)
Linear expansion rate:	1.10"/10°F/100' (27.94mm/5.56°C/30.48m)



Product information and application use

Pre-insulated Uponor AquaPEX® tubing offers all the benefits of Uponor AquaPEX — durable, flexible, corrosion-resistant — encased in ½" PEX-foam insulation for the additional benefit of insulating potable-water lines and meeting national, state and local energy codes. The tubing is approved for use in hot and cold domestic potable water systems, residential fire safety and hydronic radiant heating and cooling systems containing no ferrous corrodible components or where ferrous components are isolated from the tubing. This product is approved for direct-burial applications in soil or concrete.

✓ Description	Part no.	O.D.	Heat loss (at 70° Delta T)	R-Value	Weight (per bundle)
1¼" Pre-insulated Uponor AquaPEX with ½" insulation, 20-ft. straight length, 100 ft. (5 per bundle)	F6921250	2.53"	15.2 BTU/h/ft	2.9	38.3 lbs.
1½" Pre-insulated Uponor AquaPEX with ½" insulation, 20-ft. straight length, 100 ft. (5 per bundle)	F6921500	2.78"	17.1 BTU/h/ft	2.8	47.8 lbs.
2" Pre-insulated Uponor AquaPEX with ½" insulation, 20-ft. straight length, 100 ft. (5 per bundle)	F6922000	3.28"	21.0 BTU/h/ft	2.7	72.6 lbs.

Installation

Approved fitting system is ProPEX®.¹ Refer to the ProPEX Connections Instructional Guide, Uponor Piping Pocket Guide, Plumbing Design Assistance Manual (PDAM), Complete Design Assistance Manual (CDAM), Hydronic Piping Design Assistance Manual (HPDAM) or AquaSAFE™ Residential Fire Sprinkler Installation Guide for more information.

Listings²

cNSFus-fs³; cNSFus-pw; cQAlus⁵; UL; CSA; PPI TR-4; ICC-ES; IAPMO; BMEC; CCMC

Codes

ICC; IPC; IMC; IRC; UPC; UMC; NSPC; HUD; UFGS; NPC of Canada; NBC of Canada

Standards

ANSI/NSF 14; ANSI/NSF 61; ASTM F876; ASTM F877; ASTM F1960; ASTM F2023; ASTM E84⁵; CAN/ULC S102.2⁵; ASTM E119/UL 263; CAN/ULC S101; ASTM E814/ULC S115; AWWA C904⁴; CSA B137.5; CSA B214; UL 1821³; ULC/ORD-C199P³

Related applications

PEX-a plumbing systems
Radiant heating and cooling systems
AquaSAFE™ fire safety systems
Hydronic piping systems

Contact information

Uponor, Inc.
5925 148th Street West
Apple Valley, MN 55124 USA
Phone: 800.321.4739
Fax: 952.891.2008
uponorpro.com

Uponor Ltd.
6510 Kennedy Road
Mississauga, ON L5T 2X4 CANADA
Phone: 888.994.7726
Fax: 800.638.9517
uponorpro.com

¹ProPEX® is a registered trademark of Uponor, Inc. ProPEX™ is a trademark of Uponor Ltd.; ²Visit listing agency's website for complete information; ³For ¾", 1" and 1¼" tubing only; ⁴For ¾" tubing and larger; ⁵See listings/standards for un-insulated Uponor AquaPEX.

Pre-insulated Uponor AquaPEX® (ASHRAE 90.1-2013)

Submittal Information
Revision C: Sept. 17, 2018

Project information

Job name:	
Location:	Part no. ordered:
Engineer:	Date submitted:
Contractor:	Submitted by:
Manufacturer's representative:	Approved by:

Technical data

Service pipe:	Crosslinked polyethylene PEX-a Engel method pipe encased in polyethylene-foam insulation; PEX 5106
Insulation:	Polyethylene foam
Thermal conductivity:	0.25 Btu.in/sq.ft.h.degF
Operating condition limits: (hydrostatic ratings)	200°F (93°C) at 80 psi (551 kPa) 180°F (82°C) at 100 psi (689 kPa) 73.4°F (23°C) at 160 psi (1,103 kPa) ½"-2" Uponor AquaPEX® White only: 120°F (49°C) at 130 psi (896 kPa)
Linear expansion rate:	1.10"/10°F/100' (27.94mm/5.56°C/30.48m)



Product information and application use

Pre-insulated Uponor AquaPEX® (ASHRAE 90.1-2013) features flexible PEX pipe encased in polyethylene-foam insulation to insulate potable-water lines and meet ASHRAE 90.1-2013 energy-code requirements. The product is approved for use in hot and cold domestic potable water systems, residential fire safety and hydronic heating and cooling systems containing no ferrous corrodible components or where ferrous components are isolated from the piping. The product is also approved for direct burial in soil provided it is not exposed to groundwater. Uponor recommends adding ½" of insulation to accommodate for foam compression in direct-burial applications.

✓ Description	Part no.	O.D.	Heat loss (at 70° Delta T)	R-Value	Coil size (O.D. x Width)	Weight (lb./coil)
½" Pre-insulated Uponor AquaPEX with 1" insulation, 100-ft. coil	F6150500	2.59"	6.3 BTU/hr/ft	7.5	45" x 9"	11.0 lbs.
¾" Pre-insulated Uponor AquaPEX with 1" insulation, 100-ft.	F6150750	3.08"	7.1 BTU/hr/ft	7.9	43" x 13.5"	22.0 lbs.
1" Pre-insulated AquaPEX with 1" insulation, 100-ft. coil	F6151000	3.09"	8.8 BTU/hr/ft	6.4	45" x 13.5"	30.2 lbs.
1¼" Pre-insulated AquaPEX with 1" insulation, 100-ft. coil	F6151250	3.34"	10.0 BTU/hr/ft	6.1	52" x 9"	39.2 lbs.
1½" Pre-insulated AquaPEX with 1½" insulation, 75-ft. coil	F6161500	4.93"	7.0 BTU/hr/ft	11.2	54" x 13.5"	49.5 lbs.
2" Pre-insulated AquaPEX with 1½" insulation, 75-ft. coil	F6162000	5.27"	8.6 BTU/hr/ft	9.9	58" x 13.5"	74.3 lbs.

Installation

Approved fitting system is ProPEX®. ¹ Refer to the ProPEX Connections Instructional Guide, Uponor Piping Pocket Guide, Plumbing Design Assistance Manual (PDAM), Complete Design Assistance Manual (CDAM), Hydronic Piping Design Assistance Manual (HPDAM) or AquaSAFE™ Residential Fire Sprinkler Installation Guide for more information.

Listings²

cNSFus-fs³; cNSFus-pw; cQAlus⁵; UL; CSA; PPI TR-4; ICC-ES; IAPMO; BMEC; CCMC

Codes

ICC; IPC; IMC; IRC; UPC; UMC; NSPC; HUD; UFGS; NPC of Canada; NBC of Canada

Standards

ANSI/NSF 14; ANSI/NSF 61; ASTM F876; ASTM F877; ASTM F1960; ASTM F2023; ASTM E119/UL 263; CAN/ULC S101; ASTM E814/ULC S115; AWWA C904⁴; CSA B137.5; CSA B214; UL 1821³; ULC/ORD-C199P³

Related applications

PEX-a plumbing systems
AquaSAFE fire safety systems
Radiant heating and cooling systems
Hydronic piping systems

Contact information

Uponor, Inc.
5925 148th Street West
Apple Valley, MN 55124 USA
Phone: 800.321.4739
Fax: 952.891.2008
uponorpro.com

Uponor Ltd.
6510 Kennedy Road
Mississauga, ON L5T 2X4 CANADA
Phone: 888.994.7726
Fax: 800.638.9517
uponorpro.com

¹ProPEX® is a registered trademark of Uponor, Inc. ProPEX™ is a trademark of Uponor Ltd.; ²Visit listing agency's website for complete information; ³For ¾", 1" and 1¼" pipe only; ⁴For ¾" pipe and larger; ⁵See listings/standards for un-insulated Uponor AquaPEX.

Pre-sleeved Uponor AquaPEX® Tubing

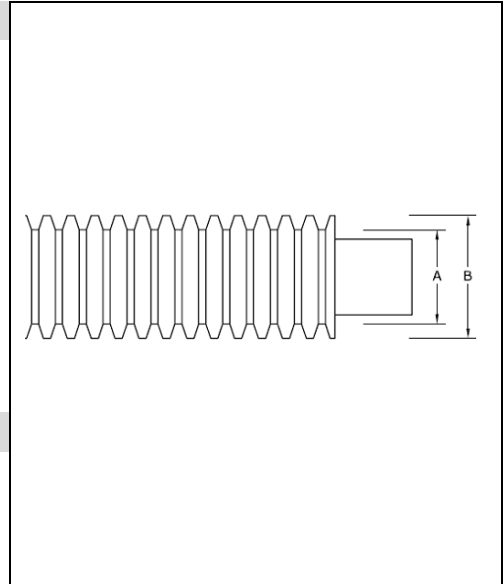
Submittal information
Revision H: Sept. 18, 2018

Project information

Job name:	
Location:	Part no. ordered:
Engineer:	Date submitted:
Contractor:	Submitted by:
Manufacturer's representative:	Approved by:

Technical data

Sleeve:	High-density polyethylene (HDPE)
Tubing:	Crosslinked polyethylene (PEX-a) Engel method; PEX 5106
Application temperature continuous operation of sleeve:	5°F (-15°C) to 194°F (90°C)
Standard grade hydrostatic ratings (PPI):	200°F (93°C) at 80 psi 180°F (82°C) at 100 psi 73.4°F (23°C) at 160 psi
Hydrostatic ratings for ½", ¾" and 1":	120°F (49°C) at 130 psi
Linear expansion rate:	1.10"/10°F/100' (27.94mm/5.56°C/30.48m)



Product information and application use

Pre-sleeved Uponor AquaPEX® tubing is used in hot and cold water-distribution systems. The high-density polyethylene (HDPE) corrugated sleeve provides protection for installations in concrete slabs or soil, and allows for removal and replacement of the tubing if required. **Note:** This tubing can also be used in radiant heating and cooling systems containing no ferrous corrodible components or where ferrous components are isolated from the tubing.

✓ Description	Part no.	A	B	Weight
½" Pre-sleeved Uponor AquaPEX Red, 400-ft. coil	F1092500	0.81"	1.00"	41.33 lbs.
½" Pre-sleeved Uponor AquaPEX Blue, 400-ft. coil	F1091500	0.81"	1.00"	41.33 lbs.
¾" Pre-sleeved Uponor AquaPEX Red, 400-ft. coil	F1092750	1.13"	1.36"	74.50 lbs.
¾" Pre-sleeved Uponor AquaPEX Blue, 400-ft. coil	F1091750	1.13"	1.36"	74.50 lbs.

Installation

Approved fitting system is ProPEX®.¹ The installer can tie tubing to rebar with standard steel wire or other fastening devices. Pre-sleeved Uponor AquaPEX tubing will fit in all Uponor concrete floor tube brackets. Refer to the ProPEX Connections Instructional Guide, Uponor Piping Pocket Guide or Plumbing Design Assistance Manual (PDAM) for more information.

Listings²

cNSFus-fs³; cNSFus-pw; cQAlus; UL; CSA; PPI TR-4; ICC-ES; IAPMO; BMEC; CCMC

Codes

ICC; IPC; IMC; IRC; UPC; UMC; NSPC; HUD; UFGS; NPC of Canada; NBC of Canada

Standards

ANSI/NSF 14; ANSI/NSF 61; ASTM F876; ASTM F877; ASTM F1960; ASTM F2023; ASTM E119/UL 263; CAN/ULC S101; ASTM E814/ULC S115; AWWA C904⁴; CSA B137.5; CSA B214; UL 1821³; ULC/ORD-C199P³

Related applications

PEX-a plumbing systems
Radiant heating and cooling systems

Contact information

Uponor, Inc.
5925 148th Street West
Apple Valley, MN 55124 USA
Phone: 800.321.4739
Fax: 952.891.2008
uponorpro.com

Uponor Ltd.
6510 Kennedy Road
Mississauga, ON L5T 2X4 CANADA
Phone: 888.994.7726
Fax: 800.638.9517
uponorpro.com

¹ProPEX® is a registered trademark of Uponor, Inc. ProPEX™ is a trademark of Uponor Ltd.

²Visit listing agency's website for complete information; ³For ¾", 1" and 1¼" tubing only; ⁴For ¾" tubing and larger

ProPEX® Ring

Submittal information
Revision I: Nov. 1, 2018

Project information

Job name:

Location:

Part no. ordered:

Engineer:

Date submitted:

Contractor:

Submitted by:

Manufacturer's representative:

Approved by:

Technical data

Material: Engel-method crosslinked polyethylene (PEX-a)

Density: 926 to 940 kg/m³

Degree of crosslinking: 70% to 89%

Product information and application use

Uponor ProPEX® rings are required to make a proper ProPEX connection.¹ The ProPEX ring with stop includes a leading edge chamfer and stop edge.



✓ Description	Part number	Length	I.D.	O.D.	Weight
ProPEX Ring, 3/8"	Q4690302	0.54"	0.49"	0.74"	0.005 lbs.
ProPEX Ring with Stop, 1/2"	Q4690512	0.63"	0.63"	0.87"	0.006 lbs.
ProPEX Ring with Stop, 5/8"	Q4690625	0.79"	0.75"	1.00"	0.008 lbs.
ProPEX Ring with Stop, 3/4"	Q4690756	0.87"	0.88"	1.13"	0.012 lbs.
ProPEX Ring with Stop, 1"	Q4691000	1.10"	1.13"	1.42"	0.020 lbs.
ProPEX Ring with Stop, 1 1/4"	Q4691250	1.35"	1.38"	1.66"	0.030 lbs.
ProPEX Ring with Stop, 1 1/2"	Q4691500	1.61"	1.63"	1.91"	0.040 lbs.
ProPEX Ring with Stop, 2"	Q4692000	1.97"	2.14"	2.61"	0.133 lbs.
ProPEX Ring with Stop, 2 1/2"	Q4692500	2.61"	2.66"	3.25"	0.230 lbs.
ProPEX Ring with Stop, 3"	Q4693000	3.12"	3.16"	3.87"	0.400 lbs.

Installation

Square cut the Uponor PEX tubing. Remove excess material. Slide the ProPEX ring over the end of the tubing (maximum 1/8" over-hang for rings without stop). When using the ProPEX ring with stop, slide the ring on the tubing with the chamfered edge first until the end of the tubing contacts the stop edge. Expand the tubing and ring. If using the ProPEX Manual Expander Tool, rotate the tool a quarter turn after each expansion to prevent the formation of grooves. Remove the expansion tool and fully seat the tubing and ring against the shoulder of the fitting. Make ProPEX connections at temperatures above 5°F/-15°C. For more information, refer to the Uponor ProPEX Connections Instructional Guide.

Listings²

cNSFus-fs³; cNSFus-pw; cNSFus-rfh; cQAlus; UL; CSA; PPI TR-4; ICC-ES; IAPMO; BMEC; CCMC; cQAlus P321

Codes

ICC; IPC; IMC; IRC; UPC; UMC; NSPC; HUD; UFGS; NPC of Canada; NBC of Canada

Standards

ANSI/NSF 14; ANSI/NSF 61; ASTM F876; ASTM F877; ASTM F1960; ASTM F2023; ASTM E84; CAN/ULC S102.2; ASTM E119/UL 263; CAN/ULC S101; ASTM E814/ULC S115; CSA B137.5; CSA B214; UL 1821³; ULC/ORD-C199P³

Related applications

PEX-a plumbing systems
AquaSAFE fire safety systems
Hydronic radiant heating and cooling systems
Snow melting systems
Turf conditioning systems
Permafrost prevention systems

Contact information

Uponor Inc.
5925 148th Street West
Apple Valley, MN 55124 USA
Phone: 800.321.4739
Fax: 952.891.2008
uponorpro.com

Uponor Ltd.
6510 Kennedy Road
Mississauga, ON L5T 2X4 CANADA
Phone: 888.994.7726
Fax: 800.638.9517
uponorpro.com

¹ProPEX® is a registered trademark of Uponor, Inc. ProPEX™ is a trademark of Uponor Ltd.

²Visit listing agency's website for complete information; ³For 1/2", 3/4", 1", 1 1/4", 1 1/2" and 2" tubing only