

Commercial engineered polymer (EP) branch multi-port tee

Submittal information

Revision H: Nov. 30, 2017

Project information

Job name:

Location:

Part no. ordered:

Engineer:

Date submitted:

Contractor:

Submitted by:

Manufacturer's representative:

Approved by:

Technical data

| | |
|---|--|
| Material of ¾" and 1" multi-port tee: | Polysulfone GF120 |
| Material of mounting clip (¾" and 1" only): | Chevron Phillips Marlex 9018 high-density polyethylene (HDPE), black |
| Material of screw (¾" and 1" only): | Black phosphate carbon steel |
| Material of 1¼" multi-port tee: | Modified polyphenylsulfone |
| Maximum temperature (no pressure): | 320°F (160°C) |
| Maximum working temperature/pressure: | 210°F at 150 psi (99°C at 10.3 bar) |
| Maximum multi-port tee flow for ¾" inlet: | 8.8 gpm at 8 fps 13.2 gpm at 12 fps |
| Maximum multi-port tee flow for 1" inlet: | 14.5 gpm at 8 fps 21.8 gpm at 12 fps |
| Maximum multi-port tee flow for 1¼" inlet: | 21.7 gpm at 8 fps 32.6 gpm at 12 fps |



Product information and application use

Commercial engineered polymer (EP) branch multi-port tees feature an integrated ¾" or 1" ProPEX® inlet with ½" ProPEX branch outlets, or a 1¼" ProPEX® inlet with ¾" ProPEX branch outlets.¹ Designed for commercial plumbing applications, they eliminate the need for multiple connections. The ¾" and 1" multi-port tees come with mounting clips featuring Phillips self-tapping screws.

| ✓ Description | Part number | Length | Height | Width | Weight |
|---|-------------|--------|--------|-------|------------|
| ¾" EP Branch Multi-port Tee, 7 outlets with mounting clips | Q2277550 | 8.66" | 2.10" | 1.77" | 0.327 lbs. |
| ¾" EP Branch Multi-port Tee, 8 outlets with mounting clips | Q2287550 | 9.50" | 2.10" | 1.77" | 0.362 lbs. |
| 1" EP Branch Multi-port Tee, 7 outlets with mounting clips | Q2271051 | 8.90" | 2.10" | 1.77" | 0.330 lbs. |
| 1" EP Branch Multi-port Tee, 8 outlets with mounting clips | Q2281051 | 9.80" | 2.10" | 1.77" | 0.365 lbs. |
| 1" EP Branch Multi-port Tee, 10 outlets with mounting clips | Q2101051 | 11.60" | 2.10" | 1.77" | 0.437 lbs. |
| 1" EP Branch Multi-port Tee, 12 outlets with mounting clips | Q2121051 | 13.40" | 2.10" | 1.77" | 0.505 lbs. |
| 1¼" EP Branch Multi-port Tee, 3 (¾") outlets | Q2231375 | 6.85" | 2.34" | 1.75" | 0.220 lbs. |

Installation

The ¾" and 1" multi-port tees feature mounting clips with self-tapping screws, which are appropriate for wood or metal studs. Simply attach the clips to the multi-port tee and fasten the clips to the mounting surface. For the 1¼" multi-port tee, mount the tee by securing all adjoining PEX pipes to the framing or support structure within 6" of each ProPEX connection. For more information, refer to the Uponor Professional Plumbing Installation Guide.

Standards

CAN/CSA B137.5; ASTM F877; ASTM F1960

Codes

IPC; UPC; NSPC; NPC of Canada

Listings

ANSI/NSF 14- and 61-certified; ICC ESR 1099; IAPMO 3946; cQALus P321

Related applications

PEX-a plumbing systems

Contact information

Uponor, Inc.
5925 148th Street West
Apple Valley, MN 55124 USA
Phone: 800.321.4739
Fax: 952.891.2008
uponorpro.com

Uponor Ltd.
6510 Kennedy Road
Mississauga, ON L5T 2X4 CANADA
Phone: 888.994.7726
Fax: 800.638.9517
uponorpro.com

¹ProPEX® is a registered trademark of Uponor, Inc. ProPEX™ is a trademark of Uponor Ltd.

Commercial Engineered Polymer (EP) Flow-through Multi-port Tee

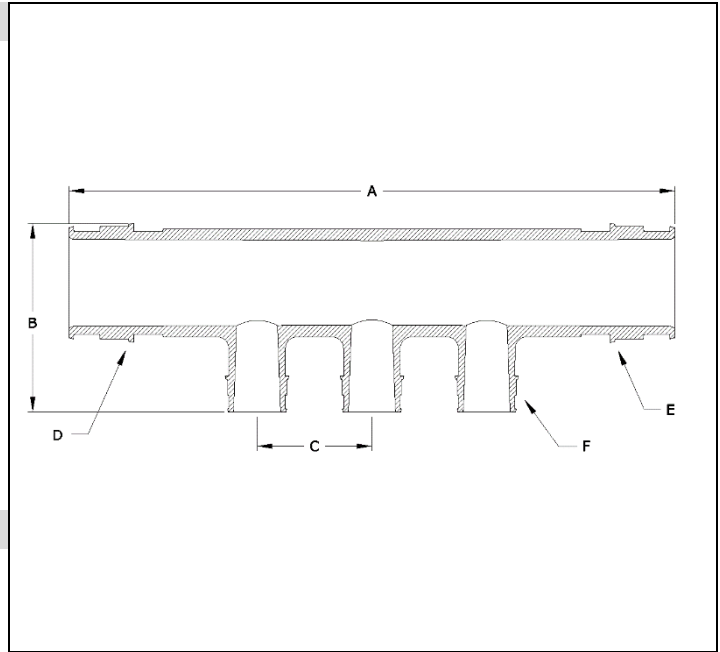
Submittal Information
Revision D: Feb. 1, 2016

Project Information

| | |
|--------------------------------|-------------------|
| Job Name: | |
| Location: | Part No. Ordered: |
| Engineer: | Date Submitted: |
| Contractor: | Submitted By: |
| Manufacturer's Representative: | Approved By: |

Technical Data

| | |
|---------------------------------------|---|
| Material: | |
| 1 1/4" Tee: | Modified Polyphenylsulfone |
| 2" Tee: | Polyphenylsulfone |
| Maximum Temperature (no pressure): | 320°F (160°C) |
| Maximum Working Temperature/Pressure: | 210°F (99°C) at 150 psi |
| Maximum Flow for 3/4" Outlet: | 8.8 gpm at 8 fps 13.2 gpm at 12 fps |
| Maximum Flow for 1" Outlet: | 14.5 gpm at 8 fps 21.8 gpm at 12 fps |
| Maximum Flow for 1 1/4" Inlet: | 21.7 gpm at 8 fps 32.6 gpm at 12 fps |
| Maximum Flow for 2" Inlet: | 51.9 gpm at 8 fps 77.9 gpm at 12 fps |



Product Information and Application Use

Commercial EP Flow-through Multi-port Tee features 1 1/4" or 2" ProPEX® inlets with 3/4" or 1" ProPEX branch outlets for use with crosslinked polyethylene (PEX) piping.¹ The tee is made of engineered polymer (EP), a high-performance material used in demanding, hot-water applications.

| ✓ Description | Part Number | A | B | C | D | E | F | Weight |
|--|-------------|-------|------|-------|---------------|---------------|-------------|-----------|
| EP Flow-through Multi-port Tee, 3 (3/4") outlets, 1 1/4" x 1 1/4" ProPEX | Q2231373 | 8.2" | 2.3" | 1.75" | 1 1/4" ProPEX | 1 1/4" ProPEX | 3/4" ProPEX | 0.22 lbs. |
| EP Flow-through Multi-port Tee, 3 (1") outlets, 2" x 2" ProPEX | Q2232102 | 10.6" | 3.3" | 2" | 2" ProPEX | 2" ProPEX | 1" ProPEX | 0.55 lbs. |

Installation

Properly mount the multi-port tee by securing all adjoining PEX pipes to the framing or support structure within 6" of each ProPEX connection. For more information, refer to the Uponor Professional Plumbing Installation Guide.

Standards

ANSI/NSF 14 and 61; CAN/CSA B137.5; ASTM F877; ASTM F1960

Codes

IPC; UPC; NSPC; NPC of Canada

Listings

ICC ESR 1099; IAPMO 3946; HUD MR 1269, cQAIus P321

Related Applications

PEX-a Plumbing Systems

Contact Information

Uponor, Inc.
5925 148th Street West
Apple Valley, MN 55124 USA
Phone: 800.321.4739
Fax: 952.891.2008
www.uponorpro.com

Uponor Ltd.
2000 Argentia Rd., Plaza 1, Ste. 200
Mississauga, ON L5N 1W1 CANADA
Phone: 888.994.7726
Fax: 800.638.9517
www.uponorpro.com

¹ProPEX® is a registered trademark of Uponor, Inc. ProPEX™ is a trademark of Uponor Ltd.

Engineered Polymer (EP) Flow-through Multi-port Horizontal Tee

Submittal Information

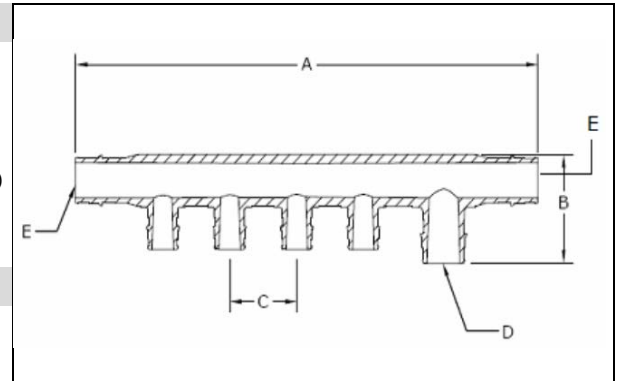
Revision D: Feb. 2, 2016

Project Information

| | |
|--------------------------------|-------------------|
| Job Name: | |
| Location: | Part No. Ordered: |
| Engineer: | Date Submitted: |
| Contractor: | Submitted By: |
| Manufacturer's Representative: | Approved By: |

Technical Data

| | |
|---|--|
| Material: | Polysulfone GF120 |
| Maximum Temperature (no pressure): | 320°F (160°C) |
| Maximum Working Temperature/Pressure: | 210°F at 150 psi (99°C at 10.3 bar) |
| Maximum Multi-port Tee Flow for 3/4" Inlet: | 13.2 gpm at 12 fps 8.8 gpm at 9 fps |



Product Information and Application Use

Engineered Polymer (EP) Flow-through Multi-port Horizontal Tee is used in hot and cold domestic potable water distribution systems. This tee features 3/4" ProPEX® inlets with 1/2" ProPEX outlets.¹

| ✓ Description | Part Number | A | B | C | D | E | Weight |
|---|-------------|-------|-------|-------|--------------|--------------|-----------|
| EP Flow-through Multi-port Horizontal Tee, 4 outlets, 3/4" x 3/4" x 3/4" ProPEX | Q2247577 | 8.66" | 1.87" | 1.25" | 0.75" ProPEX | 0.75" ProPEX | 0.12 lbs. |

Installation

Use any product designed to mount 1" copper pipe as a mounting bracket. For more information, refer to the Uponor AquaPEX® Professional Plumbing Installation Guide.

Standards

CAN/CSA B137.5; ASTM F877; ASTM F1960

Codes

IPC; UPC; NSPC; NPC of Canada

Listings

ANSI/NSF 14- and 61-certified; ICC ESR 1099; IAPMO 3946; cQAIus P321

Related Applications

PEX-a Plumbing Systems

Contact Information

Uponor, Inc.
5925 148th Street West
Apple Valley, MN 55124 USA
Phone: 800.321.4739
Fax: 952.891.2008
www.uponorpro.com

Uponor Ltd.
2000 Argentia Rd., Plaza 1, Ste. 200
Mississauga, ON L5N 1W1 CANADA
Phone: 888.994.7726
Fax: 800.638.9517
www.uponorpro.com

¹ProPEX® is a registered trademark of Uponor, Inc. ProPEX™ is a trademark of Uponor Ltd.

Engineered Polymer (EP) Flow-through Multi-port Elbow

Submittal Information
Revision E: Feb. 1, 2016

Project Information

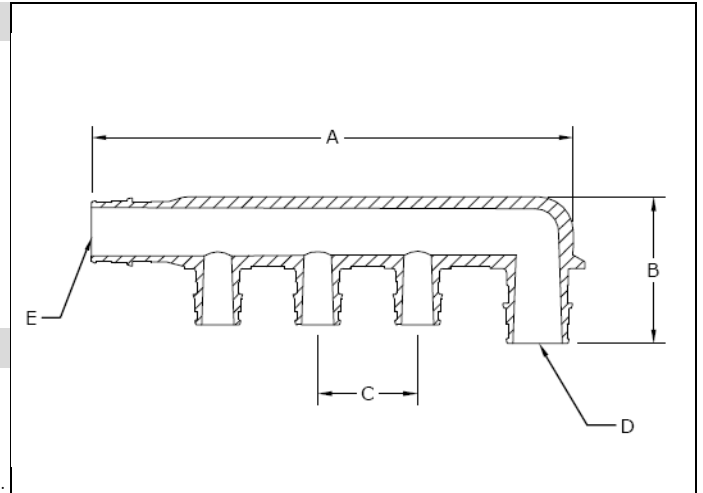
| | |
|--------------------------------|-------------------|
| Job Name: | |
| Location: | Part No. Ordered: |
| Engineer: | Date Submitted: |
| Contractor: | Submitted By: |
| Manufacturer's Representative: | Approved By: |

Technical Data

| | |
|---|--|
| Material: | Polysulfone GF120 |
| Maximum Temperature (no pressure): | 320°F (160°C) |
| Maximum Working Temperature/Pressure: | 210°F at 150 psi (99°C at 10.3 bar) |
| Maximum Multi-port Elbow Flow for 3/4" Inlet: | 13.2 gpm at 12 fps 8.8 gpm at 8 fps |

Product Information and Application Use

Engineered Polymer (EP) Flow-through Multi-port Elbow features an integrated 3/4" ProPEX® elbow with 1/2" ProPEX branch outlets.¹ The elbow is designed for demanding, slab-on-grade, potable plumbing applications, and eliminates the need for multiple connections. The elbow is made of engineered polymer, a proven material in demanding hot-water applications.



| ✓ Description | Part Number | A | B | C | D | E | Weight |
|---|-------------|-------|-------|-------|-------|-------|-----------|
| EP Flow-through Multi-port Elbow, 3 outlets, 3/4" x 3/4" ProPEX | Q2235577 | 6.03" | 1.87" | 1.25" | 0.75" | 0.75" | 0.10 lbs. |
| EP Flow-through Multi-port Elbow, 4 outlets, 3/4" x 3/4" ProPEX | Q2245577 | 7.28" | 1.87" | 1.25" | 0.75" | 0.75" | 0.14 lbs. |

Installation

Any product designed to mount 1" copper pipe is suitable for use as a mounting bracket. For more information, refer to the Uponor Professional Plumbing Installation Guide.

Standards

CAN/CSA B137.5; ASTM F877; ASTM F1960

Codes

IPC; UPC; NSPC; NPC of Canada

Listings

ANSI/NSF 14- and 61-certified; ICC ESR 1099; IAPMO 3946; HUD MR 1269; cQAIus P321

Related Applications

PEX-a Plumbing Systems

Contact Information

Uponor, Inc.
5925 148th Street West
Apple Valley, MN 55124 USA
Phone: 800.321.4739
Fax: 952.891.2008
www.uponorpro.com

Uponor Ltd.
2000 Argentia Rd., Plaza 1, Ste. 200
Mississauga, ON L5N 1W1 CANADA
Phone: 888.994.7726
Fax: 800.638.9517
www.uponorpro.com

¹ProPEX® is a registered trademark of Uponor, Inc. ProPEX™ is a trademark of Uponor Ltd.

Engineered Polymer (EP) Flow-through Opposing-port Multi-port Tee

Submittal Information

Revision D: Feb. 1, 2016

Project Information

Job Name:

Location:

Part No. Ordered:

Engineer:

Date Submitted:

Contractor:

Submitted By:

Manufacturer's Representative:

Approved By:

Technical Data

| | |
|---|--|
| Material: | Polysulfone GF120 |
| Maximum Temperature (no pressure): | 320°F (160°C) |
| Maximum Working Temperature/Pressure: | 210°F (99°C) at 150 psi |
| Maximum Multi-port Tee Flow for ¾" Inlet: | 13.2 gpm at 12 fps 8.8 gpm at 8 fps |



Product Information and Application Use

Engineered Polymer (EP) Flow-through Opposing-port Multi-port Tee features ¾" ProPEX® inlets with opposing ½" ProPEX branch outlets.¹ The tee is designed for central location to facilitate piping in two directions. The tee is made of engineered polymer, which is proven in demanding hot-water applications.

| ✓ Description | Part Number | Length | Height | Width | Weight |
|---|-------------|--------|--------|-------|------------|
| EP Flow-through Opposing-port Multi-port Tee, 3 outlets, ¾" x ¾" ProPEX | Q2337557 | 4.41" | 2.38" | 1.18" | 0.072 lbs. |
| EP Flow-through Opposing-port Multi-port Tee, 4 outlets, ¾" x ¾" ProPEX | Q2347557 | 4.41" | 2.38" | 1.18" | 0.077 lbs. |
| EP Flow-through Opposing-port Multi-port Tee, 6 outlets, ¾" x ¾" ProPEX | Q2367557 | 5.66" | 2.38" | 1.18" | 0.108 lbs. |

Installation

Use any product designed to mount 1" copper pipe as a mounting bracket. For more information, refer to the Uponor AquaPEX® Professional Plumbing Installation Guide.

Standards

CAN/CSA B137.5; ASTM F877; ASTM F1960

Codes

IPC; UPC; NSPC; NPC of Canada

Listings

ANSI/NSF 14- and 61-certified; ICC ESR 1099; IAPMO 3946; cQAIus P321

Related Applications

PEX-a Plumbing Systems

Contact Information

Uponor, Inc.
5925 148th Street West
Apple Valley, MN 55124 USA
Phone: 800.321.4739
Fax: 952.891.2008
www.uponorpro.com

Uponor Ltd.
2000 Argentia Road, Plaza 1, Suite 200
Mississauga, ON L5N 1W1 CANADA
Phone: 888.994.7726
Fax: 800.638.9517
www.uponorpro.com

¹ProPEX® is a registered trademark of Uponor, Inc. ProPEX™ is a trademark of Uponor Ltd.

Engineered Polymer (EP) Branch Opposing-port Multi-port Tee

Submittal Information
Revision D: Feb. 1, 2016

Project Information

Job Name:

Location:

Part No. Ordered:

Engineer:

Date Submitted:

Contractor:

Submitted By:

Manufacturer's Representative:

Approved By:

Technical Data

| | |
|---|--|
| Material: | Polysulfone GF120 |
| Maximum Temperature (no pressure): | 320°F (160°C) |
| Maximum Working Temperature/Pressure: | 210°F (99°C) at 150 psi |
| Maximum Multi-port Tee Flow for 3/4" Inlet: | 13.2 gpm at 12 fps 8.8 gpm at 8 fps |



Product Information and Application Use

Engineered Polymer (EP) Branch Opposing-port Multi-port Tee features a 3/4" ProPEX® inlet with opposing 1/2" ProPEX branch outlets.¹ These are designed for central location to facilitate piping in two directions. The tee is made of EP, which is proven in demanding hot-water applications.

| ✓ Description | Part Number | Length | Height | Width | Weight |
|--|-------------|--------|--------|-------|------------|
| 3/4" EP Branch Opposing-port Multi-port Tee, 3 outlets | Q2337550 | 3.58" | 2.38" | 1.18" | 0.066 lbs. |
| 3/4" EP Branch Opposing-port Multi-port Tee, 4 outlets | Q2347550 | 3.58" | 2.38" | 1.18" | 0.071 lbs. |
| 3/4" EP Branch Opposing-port Multi-port Tee, 8 outlets | Q2387550 | 6.08" | 2.38" | 1.18" | 0.135 lbs. |

Installation

Use any product designed to mount 1" copper pipe as a mounting bracket. For more information, refer to the Uponor AquaPEX® Professional Plumbing Installation Guide.

Standards

CAN/CSA B137.5; ASTM F877; ASTM F1960

Codes

IPC; UPC; NSPC; NPC of Canada

Listings

ANSI/NSF 14- and 61-certified; ICC ESR 1099; IAPMO 3946, cQALus P321

Related Applications

PEX-a Plumbing Systems

Contact Information

Uponor, Inc.
5925 148th Street West
Apple Valley, MN 55124 USA
Phone: 800.321.4739
Fax: 952.891.2008
www.uponorpro.com

Uponor Ltd.
2000 Argentia Road, Plaza 1, Suite 200
Mississauga, ON L5N 1W1 CANADA
Phone: 888.994.7726
Fax: 800.638.9517
www.uponorpro.com

¹ProPEX® is a registered trademark of Uponor, Inc. ProPEX™ is a trademark of Uponor Ltd.

Engineered Polymer (EP) Flow-through Multi-port Tee

Submittal Information
Revision F: Feb. 1, 2016

Project Information

Job Name:

Location:

Part No. Ordered:

Engineer:

Date Submitted:

Contractor:

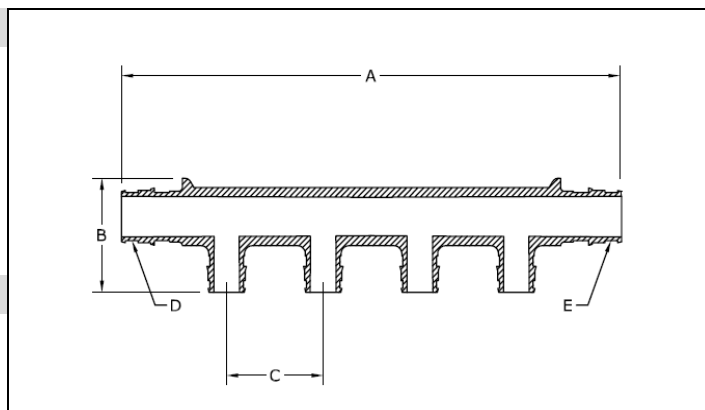
Submitted By:

Manufacturer's Representative:

Approved By:

Technical Data

| | |
|---|---|
| Material: | Polysulfone GF120 |
| Maximum Temperature (no pressure): | 320°F (160°C) |
| Maximum Working Temperature/Pressure: | 210°F (99°C) at 150 psi |
| Maximum Multi-port Tee Flow for ¾" Inlet: | 13.2 gpm at 12 fps 8.8 gpm at 8 fps |
| Maximum Multi-port Tee Flow for 1" Inlet: | 21.8 gpm at 12 fps 14.5 gpm at 8 fps |



Product Information and Application Use

Engineered Polymer (EP) Flow-through Multi-port Tee features ¾" or 1" ProPEX® inlets with ½" ProPEX branch outlets.¹ The tee is made of EP, a high-performance material used in demanding, hot-water applications.

| ✓ Description | Part Number | A | B | C | D | E | Weight |
|---|-------------|-------|-------|-------|-----------|-----------|-----------|
| EP Flow-through Multi-port Tee, 2 outlets, ¾" x ¾" ProPEX | Q2227557 | 4.40" | 1.77" | 1.25" | ¾" ProPEX | ¾" ProPEX | 0.08 lbs. |
| EP Flow-through Multi-port Tee, 3 outlets, ¾" x ¾" ProPEX | Q2237557 | 5.70" | 1.77" | 1.25" | ¾" ProPEX | ¾" ProPEX | 0.10 lbs. |
| EP Flow-through Multi-port Tee, 3 outlets, 1" x ¾" ProPEX | Q2231057 | 6.20" | 1.88" | 1.25" | 1" ProPEX | ¾" ProPEX | 0.14 lbs. |
| EP Flow-through Multi-port Tee, 4 outlets, ¾" x ¾" ProPEX | Q2247557 | 7.80" | 1.77" | 1.50" | ¾" ProPEX | ¾" ProPEX | 0.14 lbs. |
| EP Flow-through Multi-port Tee, 4 outlets, 1" x ¾" ProPEX | Q2241057 | 7.10" | 2.00" | 1.25" | 1" ProPEX | ¾" ProPEX | 0.17 lbs. |
| EP Flow-through Multi-port Tee, 4 outlets, 1" x 1" ProPEX | Q2241051 | 7.68" | 1.88" | 1.25" | 1" ProPEX | 1" ProPEX | 0.18 lbs. |
| EP Flow-through Multi-port Tee, 6 outlets, ¾" x ¾" ProPEX | Q2267557 | 9.41" | 1.62" | 1.25" | ¾" ProPEX | ¾" ProPEX | 0.18 lbs. |
| EP Flow-through Multi-port Tee, 6 outlets, 1" x ¾" ProPEX | Q2261057 | 9.60" | 2.00" | 1.25" | 1" ProPEX | ¾" ProPEX | 0.24 lbs. |
| EP Flow-through Multi-port Tee, 6 outlets, 1" x 1" ProPEX | Q2261051 | 9.90" | 2.00" | 1.25" | 1" ProPEX | 1" ProPEX | 0.25 lbs. |

Installation

Any product designed to mount 1" copper pipe (for the ¾" EP Flow-through Multi-port Tee) or 1¼" copper pipe (for the 1" EP Flow-through Multi-port Tee) can serve as a mounting bracket. For more information, refer to the Uponor Professional Plumbing Installation Guide.

Standards

CAN/CSA B137.5; ASTM F877; ASTM F1960

Codes

IPC; UPC; NSPC; NPC of Canada

Listings

ANSI/NSF -14- and 61-certified; ICC ESR 1099; IAPMO 3946; HUD MR 1269; cQAIus P321

Related Applications

PEX-a Plumbing Systems

Contact Information

Uponor, Inc.
5925 148th Street West
Apple Valley, MN 55124 USA
Phone: 800.321.4739
Fax: 952.891.2008
www.uponorpro.com

Uponor Ltd.
2000 Argentia Road, Plaza 1, Suite 200
Mississauga, ON L5N 1W1 CANADA
Phone: 888.994.7726
Fax: 800.638.9517
www.uponorpro.com

¹ProPEX® is a registered trademark of Uponor, Inc. ProPEX™ is a trademark of Uponor Ltd.

Engineered Polymer (EP) Flow-through Vertical Multi-port Tee

Submittal Information

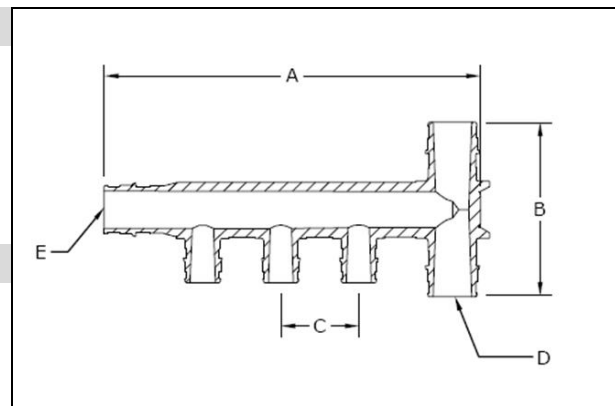
Revision E: Feb. 1, 2016

Project Information

| | |
|--------------------------------|-------------------|
| Job Name: | |
| Location: | Part No. Ordered: |
| Engineer: | Date Submitted: |
| Contractor: | Submitted By: |
| Manufacturer's Representative: | Approved By: |

Technical Data

| | |
|---|--|
| Material: | Polysulfone GF120 |
| Maximum Temperature (no pressure): | 320°F (160°C) |
| Maximum Working Temperature/Pressure: | 210°F at 150 psi (99°C at 10.3 bar) |
| Maximum Multi-port Tee Flow for 3/4" Inlet: | 13.2 gpm at 12 fps 8.8 gpm at 8 fps |



Product Information and Application Use

Engineered Polymer (EP) Flow-through Vertical Multi-port Tee is designed for use in hot and cold domestic potable water distribution systems. The EP Flow-through Vertical Multi-port Tee features 3/4" ProPEX® inlets and 1/2" ProPEX outlets.¹

| ✓ Description | Part Number | A | B | C | D | E | Weight |
|---|-------------|-------|-------|-------|--------------|--------------|-----------|
| EP Flow-through Multi-port Vertical Tee, 3 outlets, 3/4" x 3/4" x 3/4" ProPEX | Q2237757 | 6.03" | 2.85" | 1.25" | 0.75" ProPEX | 0.75" ProPEX | 0.12 lbs. |
| EP Flow-through Multi-port Vertical Tee, 4 outlets, 3/4" x 3/4" x 3/4" ProPEX | Q2247757 | 7.28" | 2.85" | 1.25" | 0.75" ProPEX | 0.75" ProPEX | 0.16 lbs. |

Installation

Use any product designed to mount 1" copper pipe as a mounting bracket. For more information, refer to the Uponor Professional Plumbing Installation Guide or Uponor Radiant Floor Heating Installation Handbook.

Standards

CAN/CSA B137.5; ASTM F877; ASTM F1960

Codes

IPC; UPC; NSPC; NPC of Canada

Listings

ANSI/NSF 14 and 61 certified; ICC ESR 1099; IAPMO 3946; cQAIus P321

Related Applications

PEX-a Plumbing Systems

Contact Information

Uponor, Inc.
5925 148th Street West
Apple Valley, MN 55124 USA
Phone: 800.321.4739
Fax: 952.891.1409
www.uponorpro.com

Uponor Ltd.
2000 Argentia Rd., Plaza 1, Ste. 200
Mississauga, ON L5N 1W1 CANADA
Phone: 888.994.7726
Fax: 800.638.9517
www.uponorpro.com

¹ProPEX® is a registered trademark of Uponor, Inc. ProPEX™ is a trademark of Uponor Ltd.

Engineered Polymer (EP) Branch Multi-port Tee

Submittal Information
Revision F: Feb. 1, 2016

Project Information

Job Name:

Location:

Part No. Ordered:

Engineer:

Date Submitted:

Contractor:

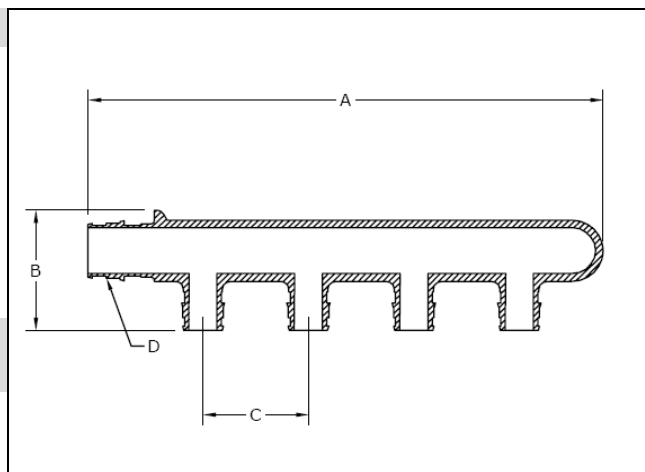
Submitted By:

Manufacturer's Representative:

Approved By:

Technical Data

| | |
|---|---|
| Material: | Polysulfone GF120 |
| Maximum Temperature (no pressure): | 320°F |
| Maximum Working Temperature/Pressure: | 210°F at 150 psi |
| Maximum Multi-port Tee Flow for ¾" Inlet: | 13.2 gpm at 12 fps 8.8 gpm at 8 fps |
| Maximum Multi-port Tee Flow for 1" Inlet: | 21.8 gpm at 12 fps 14.5 gpm at 8 fps |



Product Information and Application Use

Engineered Polymer (EP) Branch Multi-port Tee is used in hot and cold domestic potable water distribution systems. The EP Branch Multi-port Tee is available with ¾" or 1" ProPEX® inlets and ½" ProPEX outlets.¹

| ✓ Description | Part Number | A | B | C | D | Weight |
|--|-------------|-------|-------|-------|-----------|-----------|
| ¾" EP Branch Multi-port Tee, 3 outlets | Q2237550 | 5.15" | 1.62" | 1.25" | ¾" ProPEX | 0.10 lbs. |
| ¾" EP Branch Multi-port Tee, 4 outlets | Q2247550 | 6.40" | 1.77" | 1.25" | ¾" ProPEX | 0.13 lbs. |
| ¾" EP Branch Multi-port Tee, 6 outlets | Q2267550 | 8.90" | 1.62" | 1.25" | ¾" ProPEX | 0.18 lbs. |
| 1" EP Branch Multi-port Tee, 4 outlets | Q2241050 | 6.70" | 1.88" | 1.25" | 1" ProPEX | 0.17 lbs. |
| 1" EP Branch Multi-port Tee, 6 outlets | Q2261050 | 9.30" | 2.00" | 1.25" | 1" ProPEX | 0.25 lbs. |

Installation

Any product designed to mount 1" copper pipe (for the ¾" EP Branch Multi-port Tee) or 1¼" copper pipe (for the 1" EP Branch Multi-port Tee) may be used as a mounting bracket. For more information, refer to the Uponor Professional Plumbing Installation Guide.

Standards

CAN/CSA B137.5; ASTM F877; ASTM F1960

Codes

IPC; UPC; NSPC; NPC of Canada

Listings

ANSI/NSF 14- and 61-certified; ICC ESR 1099, cQAIus P321

Related Applications

PEX-a Plumbing Systems

Contact Information

Uponor, Inc.
5925 148th Street West
Apple Valley, MN 55124 USA
Phone: 800.321.4739
Fax: 952.891.1409
www.uponorpro.com

Uponor Ltd.
2000 Argentia Rd., Plaza 1, Ste. 200
Mississauga, ON L5N 1W1 CANADA
Phone: 888.994.7726
Fax: 800.638.9517
www.uponorpro.com

¹ProPEX® is a registered trademark of Uponor, Inc. ProPEX™ is a trademark of Uponor Ltd.

Engineered Polymer (EP) Branch Multi-port Elbow

Submittal Information

Revision F: Feb. 1, 2016

Project Information

Job Name:

Location:

Part No. Ordered:

Engineer:

Date Submitted:

Contractor:

Submitted By:

Manufacturer's Representative:

Approved By:

Technical Data

| | |
|---|--|
| Material of Multi-port Elbow: | Polysulfone GF120 |
| Material of Clip: | Chevron Phillips Marlex 9018 High-density Polyethylene (HDPE), Black |
| Material of Screw: | Black Phosphate Carbon Steel |
| Max. Temp. (no pressure): | 320°F (160°C) |
| Max. Working Temperature/Pressure: | 210°F at 150 psi (99°C at 10.3 bar) |
| Maximum Multi-port Elbow Flow for ¾" Inlet: | 13.2 gpm at 12 fps 8.8 gpm at 8 fps |
| Maximum Multi-port Elbow Flow for 1" Inlet: | 21.8 gpm at 12 fps 14.5 gpm at 8 fps |



Product Information and Application Use

Engineered Polymer (EP) Branch Multi-port Elbow features an integrated ¾" or 1" ProPEX® elbow inlet with ½" ProPEX branch outlets.¹ The elbow is designed for commercial plumbing applications, and eliminates the need for multiple connections. It is made of engineered polymer, a proven material for demanding hot-water applications. This product includes EP Mounting Clips (F7051250) with Phillips self-tapping screws.

| ✓ Description | Part Number | Length | Height | Width | Weight |
|---|-------------|--------|--------|-------|------------|
| ¾" EP Branch Multi-port Elbow, 7 outlets with mounting clips | Q2077550 | 9.00" | 2.33" | 1.77" | 0.350 lbs. |
| ¾" EP Branch Multi-port Elbow, 8 outlets with mounting clips | Q2087550 | 9.80" | 2.33" | 1.77" | 0.390 lbs. |
| 1" EP Branch Multi-port Elbow, 10 outlets with mounting clips | Q2101000 | 11.75" | 2.56" | 1.77" | 0.470 lbs. |

Installation

The mounting clips feature self-tapping screws, which are appropriate for wood or metal studs. Simply attach the clips to the multi-port and fasten the clips to the mounting surface.

Standards

CAN/CSA B137.5; ASTM F877; ASTM F1960

Codes

IPC; UPC; NSPC; NPC of Canada

Listings

ANSI/NSF 14- and 61-certified; ICC ESR 1099; IAPMO 3946, cQAIus P321

Related Applications

PEX-a Plumbing Systems

Contact Information

Uponor, Inc.
5925 148th Street West
Apple Valley, MN 55124 USA
Phone: 800.321.4739
Fax: 952.891.2008
www.uponorpro.com

Uponor Ltd.
2000 Argentic Rd., Plaza 1, Ste. 200
Mississauga, ON L5N 1W1 CANADA
Phone: 888.994.7726
Fax: 800.638.9517
www.uponorpro.com

¹ProPEX® is a registered trademark of Uponor, Inc. ProPEX™ is a trademark of Uponor Ltd.

Engineered Polymer (EP) Branch Multi-port Tee

Submittal Information

Revision F: Feb 1, 2016

Project Information

Job Name:

Location:

Part No. Ordered:

Engineer:

Date Submitted:

Contractor:

Submitted By:

Manufacturer's Representative:

Approved By:

Technical Data

| | |
|--|--|
| Material of multi-port tee: | Polysulfone GF120 |
| Material of mounting clip: | Chevron Phillips Marlex 9018 High-density Polyethylene (HDPE), black |
| Material of screw: | Black phosphate carbon steel |
| Maximum temperature (no pressure): | 320°F (160°C) |
| Max. working temperature/pressure: | 210°F at 150 psi (99°C at 10.3 bar) |
| Max. Multi-port Tee Flow for ¾" Inlet: | 13.2 gpm at 12 fps 8.8 gpm at 8 fps |
| Max. Multi-port Tee Flow for 1" Inlet: | 21.8 gpm at 12 fps 14.5 gpm at 8 fps |



Product Information and Application Use

Engineered Polymer (EP) Branch Multi-port Tees feature an integrated ¾" or 1" ProPEX® inlet with ½" ProPEX branch outlets.¹ Designed for commercial plumbing applications, they eliminate the need for multiple connections. These multi-port tees all come with EP Mounting Clips (F7051250) with Phillips self-tapping screws.

| ✓ Description | Part Number | Length | Height | Width | Weight |
|---|-------------|--------|--------|-------|------------|
| ¾" EP Branch Multi-port Tee, 7 outlets with mounting clips | Q2277550 | 8.66" | 2.10" | 1.77" | 0.327 lbs. |
| ¾" EP Branch Multi-port Tee, 8 outlets with mounting clips | Q2287550 | 9.50" | 2.10" | 1.77" | 0.362 lbs. |
| 1" EP Branch Multi-port Tee, 7 outlets with mounting clips | Q2271051 | 8.90" | 2.10" | 1.77" | 0.330 lbs. |
| 1" EP Branch Multi-port Tee, 8 outlets with mounting clips | Q2281051 | 9.80" | 2.10" | 1.77" | 0.365 lbs. |
| 1" EP Branch Multi-port Tee, 10 outlets with mounting clips | Q2101051 | 11.60" | 2.10" | 1.77" | 0.437 lbs. |
| 1" EP Branch Multi-port Tee, 12 outlets with mounting clips | Q2121051 | 13.40" | 2.10" | 1.77" | 0.505 lbs. |

Installation

These multi-port tees feature mounting clips with self-tapping screws, which are appropriate for wood or metal studs. Simply attach the clips to the multi-port tee and fasten the clips to the mounting surface.

Accessories

F7051250: EP Mounting Clip, ¾" to 1"

Standards

CAN/CSA B137.5; ASTM F877; ASTM F1960

Codes

IPC; UPC; NSPC; NPC of Canada

Listings

ANSI/NSF 14- and 61-certified; ICC ESR 1099; IAPMO 3946, cQAIus P321

Related Applications

PEX-a Plumbing Systems

Contact Information

Uponor, Inc.
5925 148th Street West
Apple Valley, MN 55124 USA
Phone: 800.321.4739
Fax: 952.891.2008
www.uponorpro.com

Uponor Ltd.
2000 Argentia Rd., Plaza 1, Ste. 200
Mississauga, ON L5N 1W1 CANADA
Phone: 888.994.7726
Fax: 800.638.9517
www.uponorpro.com

¹ProPEX® is a registered trademark of Uponor, Inc. ProPEX™ is a trademark of Uponor Ltd.